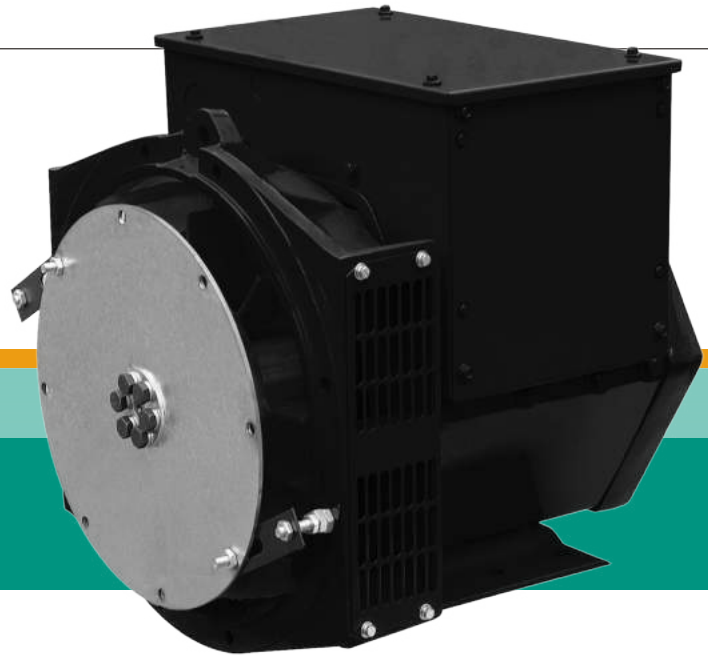




SERIES THREE-PHASE BRUSHLESS  
SYNCHRONOUS ALTERNATOR



**SLG184**  
TECHNICAL DATA SHEET

50Hz CLASS "H"

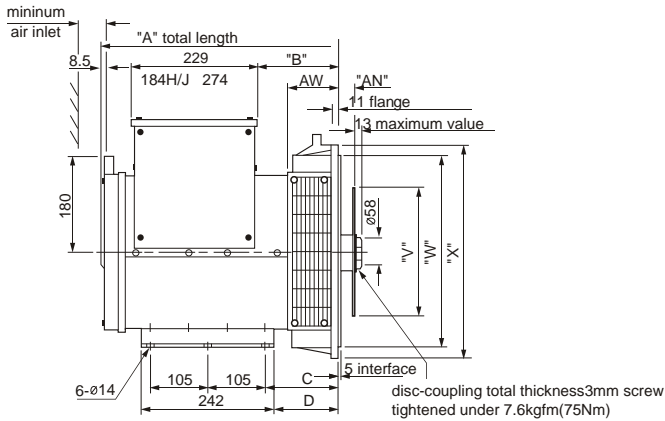
| RATINGS                       | Winding 311 / 0.8 Power Factor |     |      |     |      |    |                 |    |      |      |      |      | Winding 05      |      |      |      |      |              |
|-------------------------------|--------------------------------|-----|------|-----|------|----|-----------------|----|------|------|------|------|-----------------|------|------|------|------|--------------|
|                               | Cont./125k/40°C                |     |      |     |      |    | Cont./125k/40°C |    |      |      |      |      | Cont./125k/40°C |      |      |      |      |              |
| Duty / Temp Rise / Ambient T° |                                |     |      |     |      |    |                 |    |      |      |      |      |                 |      |      |      |      |              |
| PHASE                         | 3 PHASE                        |     |      |     |      |    | 1 PHASE         |    |      |      |      |      | 1 PHASE         |      |      |      |      |              |
| SERIES STAR                   | 380                            | 400 | 415  | 440 |      |    |                 |    |      |      |      |      |                 |      |      |      |      | Power Factor |
| PARALLEL STAR                 | 190                            | 200 | 208  | 220 |      |    |                 |    |      |      |      |      |                 |      | 0.8  | 1    |      |              |
| SERIES DELTA                  | 220                            | 230 | 240  | 254 |      |    |                 |    |      |      |      |      |                 |      |      |      |      |              |
| DOUBLE DELTA                  |                                |     |      |     |      |    |                 |    | 220  | 230  | 240  |      |                 |      |      |      |      | 220,230,240  |
|                               | KVA                            | KW  | KVA  | KW  | KVA  | KW | KVA             | KW | KVA  | KW   | KVA  | KW   | KVA             | KW   | KVA  | KW   | KVA  | KW           |
| SLG184E                       | 22.5                           | 18  | 22.5 | 18  | 22.5 | 18 | 17.5            | 14 | 13   | 10.4 | 13   | 10.4 | 13              | 10.4 | 15   | 12   | 16.6 | 16.6         |
| SLG184F                       | 27.5                           | 22  | 27.5 | 22  | 27.5 | 22 | 22.5            | 18 | 16   | 12.8 | 16   | 12.8 | 16              | 12.8 | 18.5 | 14.8 | 20   | 20           |
| SLG184G                       | 31.3                           | 25  | 31.3 | 25  | 31.3 | 25 | 27.5            | 22 | 18.1 | 14.5 | 18.1 | 14.5 | 18.1            | 14.5 | 21   | 16.8 | 22.8 | 22.8         |
| SLG184H                       | 37.5                           | 30  | 37.5 | 30  | 37.5 | 30 | 32.5            | 26 | 21.7 | 17.4 | 21.7 | 17.4 | 21.7            | 17.4 | 25   | 20   | 27   | 27           |
| SLG184J                       | 40                             | 32  | 42.5 | 34  | 40   | 32 | 35              | 28 | 23.2 | 18.6 | 24.7 | 19.8 | 23.2            | 18.6 | 28   | 22.4 | 30   | 30           |

60Hz CLASS "H"

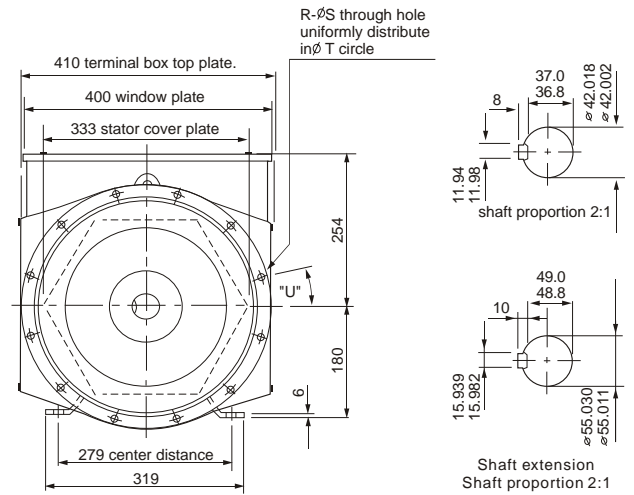
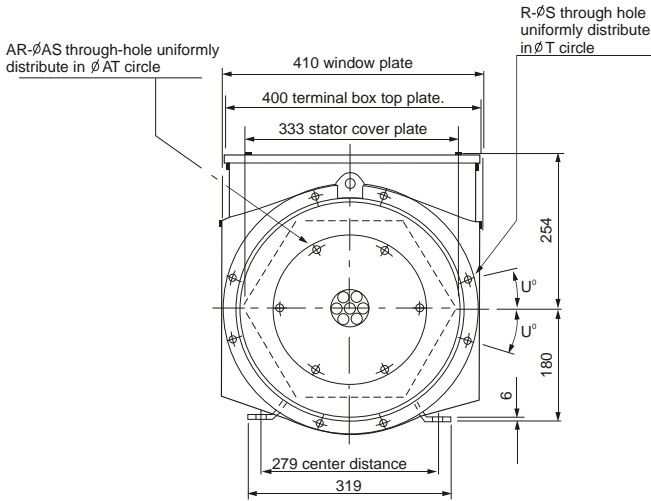
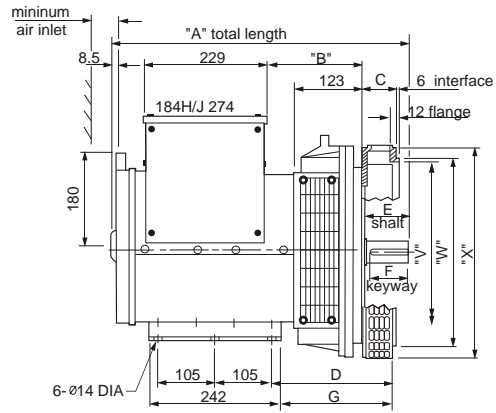
| RATINGS                       | Winding 311 / 0.8 Power Factor |      |      |      |      |      |                 |      |      |      |      |      | Winding 06      |      |      |      |      |              |
|-------------------------------|--------------------------------|------|------|------|------|------|-----------------|------|------|------|------|------|-----------------|------|------|------|------|--------------|
|                               | Cont./125k/40°C                |      |      |      |      |      | Cont./125k/40°C |      |      |      |      |      | Cont./125k/40°C |      |      |      |      |              |
| Duty / Temp Rise / Ambient T° |                                |      |      |      |      |      |                 |      |      |      |      |      |                 |      |      |      |      |              |
| PHASE                         | 3 PHASE                        |      |      |      |      |      | 1 PHASE         |      |      |      |      |      | 1 PHASE         |      |      |      |      |              |
| SERIES STAR                   | 416                            | 440  | 460  | 480  |      |      |                 |      |      |      |      |      |                 |      |      |      |      | Power Factor |
| PARALLEL STAR                 | 208                            | 220  | 230  | 240  |      |      |                 |      |      |      |      |      |                 |      | 0.8  | 1    |      |              |
| SERIES DELTA                  | 240                            | 254  | 266  | 277  |      |      |                 |      |      |      |      |      |                 |      |      |      |      |              |
| DOUBLE DELTA                  |                                |      |      |      |      |      |                 |      | 220  | 230  | 240  |      |                 |      |      |      |      | 220,230,240  |
|                               | KVA                            | KW   | KVA  | KW   | KVA  | KW   | KVA             | KW   | KVA  | KW   | KVA  | KW   | KVA             | KW   | KVA  | KW   | KVA  | KW           |
| SLG184E                       | 27.5                           | 22   | 28.8 | 23   | 28.8 | 23   | 30              | 24   | 14.6 | 11.7 | 15.3 | 12.2 | 16              | 12.8 | 18.4 | 14.7 | 21   | 21           |
| SLG184F                       | 32.5                           | 26   | 34.4 | 27.5 | 34.4 | 27.5 | 35              | 28   | 17.2 | 13.8 | 18   | 14.4 | 18.8            | 15   | 21.9 | 17.5 | 25.6 | 25.6         |
| SLG184G                       | 35                             | 28   | 37.5 | 30   | 37.5 | 30   | 37.5            | 30   | 18.7 | 15   | 19.5 | 15.6 | 20.3            | 16.2 | 25   | 20   | 30   | 30           |
| SLG184H                       | 44.3                           | 35.4 | 46.9 | 37.5 | 46.9 | 37.5 | 46.9            | 37.5 | 23.6 | 18.9 | 24.6 | 19.7 | 25.7            | 20.6 | 31.3 | 25   | 35   | 35           |
| SLG184J                       | 47.3                           | 37.8 | 50   | 40   | 50   | 40   | 50              | 40   | 25   | 20   | 26.3 | 21   | 27.4            | 21.9 | 35   | 28   | 40   | 40           |

**SLG184 External dimension**

**SINGLE BEARING**



**DOUBLE BEARING**



| Model   | DIMENSION (mm) |       |       |       |      |      |      |      | SHIPMENT DATA |            |             |
|---------|----------------|-------|-------|-------|------|------|------|------|---------------|------------|-------------|
|         | A              |       |       |       | B    |      |      |      | N.W/G.W (kg)  | LXWXH (mm) |             |
|         | SAE2           | SAE3  | SAE4  | SAE5  | SAE2 | SAE3 | SAE4 | SAE5 |               |            |             |
| SLG184E | 471            | 443.5 | 431.5 | 443.5 | 186  | 159  | 147  | 159  | 120           | 133        | 565X485X620 |
| SLG184F | 561            | 533.5 | 521.5 | 553.5 | 276  | 249  | 237  | 269  | 150           | 156        | 675X510X620 |
| SLG184G | 561            | 533.5 | 521.5 | 553.5 | 276  | 249  | 237  | 269  | 156           | 172        | 675X510X620 |
| SLG184H | 620.5          | 593.5 | 581.5 | 613.5 | 291  | 264  | 252  | 284  | 216           | 226        | 740X510X620 |
| SLG184J | 620.5          | 593.5 | 581.5 | 613.5 | 291  | 264  | 252  | 284  | 226           | 236        | 740X510X620 |

| Model   | DIMENSION (mm) |       |     |     |     |     |     | SHIPMENT DATA |          |             |
|---------|----------------|-------|-----|-----|-----|-----|-----|---------------|----------|-------------|
|         | A              | B     | C   | D   | E   | F   | G   | N.W (kg)      | G.W (kg) | LXWXH (mm)  |
|         | SLG184E        | 551.5 | 177 | 65  | 228 | 82  | 77  |               |          |             |
| SLG184F | 641.5          | 267   | 65  | 228 | 82  | 77  | 212 | 154           | 164      | 740X510X620 |
| SLG184G | 641.5          | 267   | 65  | 228 | 82  | 77  | 212 | 170           | 180      | 740X510X620 |
| SLG184H | 734.5          | 282   | 105 | 268 | 110 | 100 | 252 | 220           | 230      | 820X510X620 |
| SLG184J | 734.5          | 282   | 105 | 268 | 110 | 100 | 252 | 230           | 240      | 820X510X620 |

| S.A.E.NO. | FLANGE (mm) |     |    |       |      |       |     |             |             |  |
|-----------|-------------|-----|----|-------|------|-------|-----|-------------|-------------|--|
|           | AW          | R   | S  | T     | U°   | W     | X   | C           | D           |  |
| 2         | 132.3       | 12  | 11 | 466.7 | 15   | 447.6 | 489 | 172         | 156         |  |
| 3         | 105         | 8** | 11 | 428.6 | 15   | 409.5 | 451 | 145         | 129         |  |
| 4         | 93          | 8   | 11 | 381.0 | 15   | 361.9 | 402 | 133         | 117         |  |
| 5         | 125(105)*** | 8   | 11 | 333.3 | 22.5 | 314.3 | 356 | 165(145)*** | 149(129)*** |  |
| 6*        | 136.7       | 8   | 11 | 285.8 | 22.5 | 266.7 | 308 | 176.7       | 160.7       |  |

| S.A.E.NO. | FLANGE (mm) |      |       |      |     |        |     |
|-----------|-------------|------|-------|------|-----|--------|-----|
|           | R           | S    | T     | U°   | V   | W      | X   |
| 1         | 12          | 12.7 | 530.2 | 15   | 500 | 511.17 | 553 |
| 2         | 12          | 11   | 466.7 | 15   | 432 | 447.6  | 495 |
| 3         | 12          | 11   | 428.6 | 15   | 396 | 409.5  | 451 |
| 4         | 12          | 11   | 381.0 | 15   | 352 | 361.9  | 403 |
| 5         | 8           | 11   | 333.3 | 22.5 | 301 | 314.3  | 356 |

NOTE: \* "A" dimension should extend 31.7mm corresponding to an additional spacer plate added on SAE6  
 \*\* 8 holes of SAE3 uniformly distribute on the circle spaced as 12.  
 \*\*\* The AW dimension of 184E should be 105,C dimension is 145,D dimension is 129.

| S.A.E.NO. | DISC COUPLING (mm) |    |      |       |       |
|-----------|--------------------|----|------|-------|-------|
|           | AN                 | AR | AS   | AT    | V     |
| 6.5 Δ     | 30.16              | 6  | 8.7  | 200.0 | 215.8 |
| 7.5 Δ     | 30.16              | 8  | 8.7  | 222.2 | 241.2 |
| 8         | 61.9               | 6  | 11   | 244.5 | 263.4 |
| 10        | 53.98              | 8  | 11   | 295.3 | 314.2 |
| 11.5      | 39.68              | 8  | 11   | 333.4 | 352.3 |
| 14 Δ      | 25.4               | 8  | 13.5 | 438.2 | 466.5 |

|       | SINGLE BEARING SAE NO SELECTOR |         |       |        |          |
|-------|--------------------------------|---------|-------|--------|----------|
|       | SAE 6.5                        | SAE 7.5 | SAE 8 | SAE 10 | SAE 11.5 |
| SAE 3 | •                              | •       |       | •      | •        |
| SAE 4 | •                              | •       | •     |        |          |
| SAE 5 | •                              | •       |       |        |          |
| SAE 6 | •                              |         |       |        |          |

NOTE: Δ SAE14 is applicable for SLG184H/J iron core;  
 SAE6.5&7.5 are not applicable for SLG184H/J iron core.