



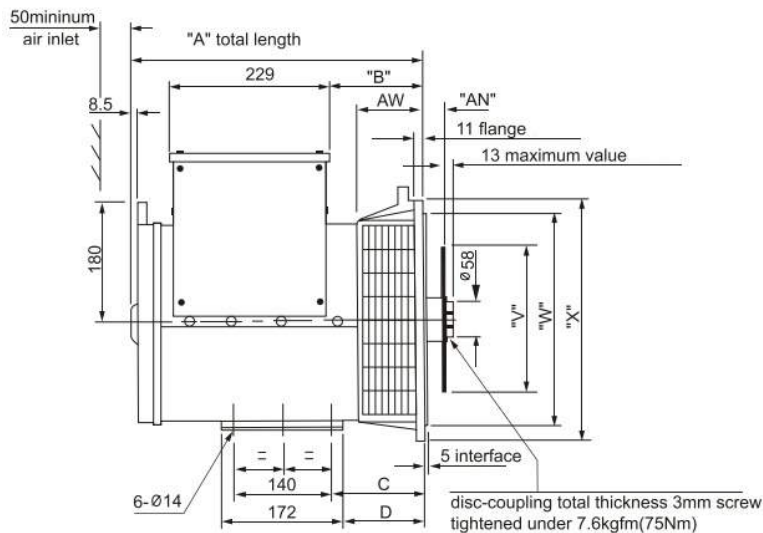
SLG164 ALTERNATOR



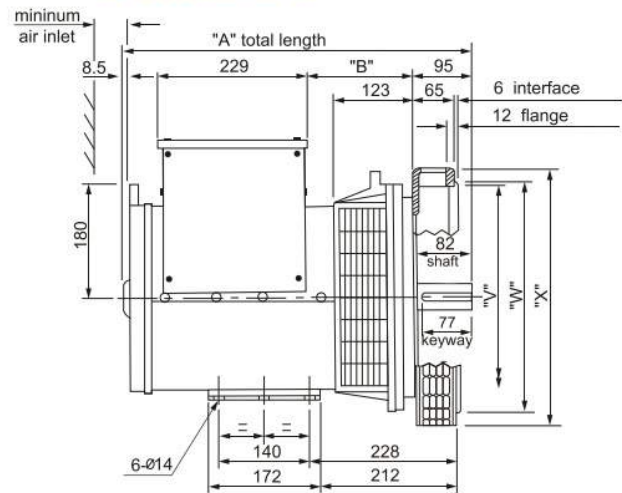
SLG164 External dimension



SINGLE BEARING

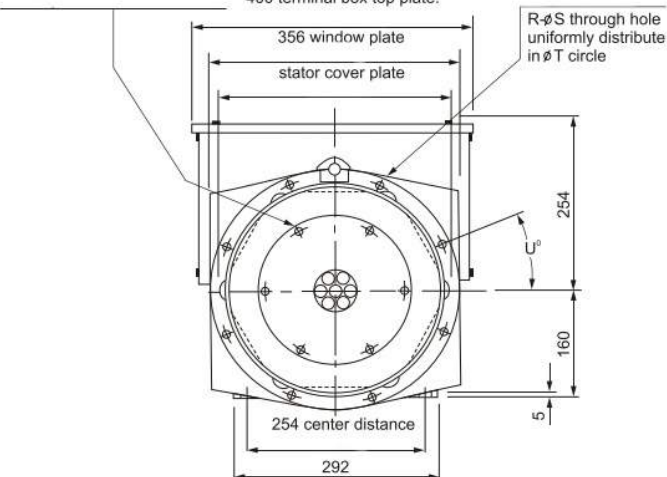


DOUBLE BEARING



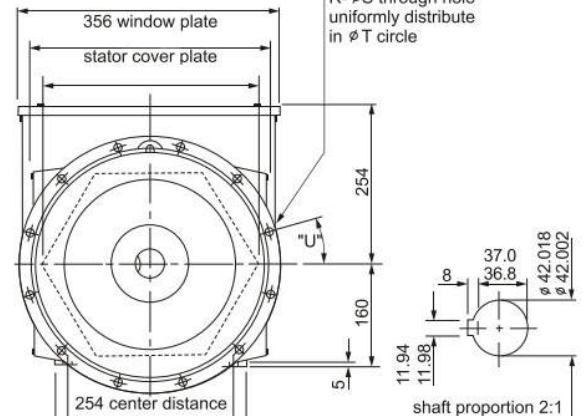
AM- ØAP through-hole uniformly distribute in ØAR circle.

400 terminal box top plate.



400 terminal box top plate.

R- ØS through hole uniformly distribute in ØT circle



SPECIFICATIONS

SLG164 Alternators																					
RATINGS		Winding 311 / 0.8 Power Factor												Winding 05							
DUTY/TEMP/AMBIENT T°		Cont./125K/40°C								Cont./125K/40°C				Cont.125K/40°C							
PHASE		3 PHASE								1 PHASE				1 PHASE							
SERIES STAR		380		400		415		440								POWER FACTOR					
PARALLEL STAR		190		200		208		220								0.8		1			
SERIES DELTA		220		230		240		254													
DOUBLE DELTA										220		230		240		220,230,240					
		KVA	KW	KVA	KW	KVA	KW	KVA	KW	KVA	KW	KVA	KW	KVA	KW	KVA	KW	KVA	KW		
SLG164A		8.1	6.5	8.1	6.5	8.1	6.5	6.2	5	4.7	3.8	4.7	3.8	4.7	3.8	5.4	4.3	6.8	6.8		
SLG164B		11	8.8	11	8.8	11	8.8	8.4	6.7	6.4	5.1	6.4	5.1	6.4	5.1	7.4	5.9	8.4	8.4		
SLG164C		13.5	10.8	13.5	10.8	13.5	10.8	11	8.8	7.8	6.2	7.8	6.2	7.8	6.2	9	7.2	11	11		
SLG164D		16	12.8	16	16	16	12.8	13.5	10.8	9.3	7.4	9.3	7.4	9.3	7.4	10.8	8.6	13	13		

Dimension(mm) Single Bearing										
Model	A			B			N.W	G.W	LxWxH	
	SAE3/5	SAE4	SAE6	SAE3/5	SAE4	SAE6	(kg)	(kg)	(mm)	
SLG164A	403.5	391.5	435.2	119.5	107	151.2	85	95	515x485x620	
SLG164B	403.5	391.5	435.2	119.5	107	151.2	90	102	515x485x620	
SLG164C	403.5	391.5	435.2	119.5	107	151.2	96	110	515x485x620	
SLG164D	403.5	391.5	435.2	119.5	107	151.2	99	116	515x485x620	

Dimension (mm) Double Bearing					
Model	A	B	N.W(kg)	G.W(kg)	LxWxH(mm)
SLG164A	511.5	137	91	101	565x485x620
SLG164B	511.5	137	98	108	565x485x620
SLG164C	511.5	137	106	116	565x485x620
SLG164D	511.5	137	112	122	565x485x620

Flange (mm) Single Bearing									
S.A.E.NO.	AW	R	S	T	U°	W	X	C	D
3	105	8	11	428.6	15	409.5	451	145.0	129.0
4	93	8	11	381	15	361.9	402	133	117
5	105	8	11	333.3	22.5	314.3	356	145	129
6*	136.7	8	11	285.8	22.5	266.7	308	176.7	160.7

Flange (mm) Double Bearing							
S.A.E.NO	R	S	T	U°	V	W	X
3	12.0	11.0	428.6	15	396	409.5	451
4	12.0	11.0	381	15	352	361.9	403
5	8.0	11.0	333.3	22.5	301	314.3	356

Disc Coupling (mm)					
S.A.E.NO.	AN	AM	AP	AR	V
6.5	30.16	6	8.7	200.0	215.8
7.5	30.16	8	8.7	222.2	241.2
8	61.9	6	11	244.5	263.4
10	53.98	8	11	295.3	314.2